

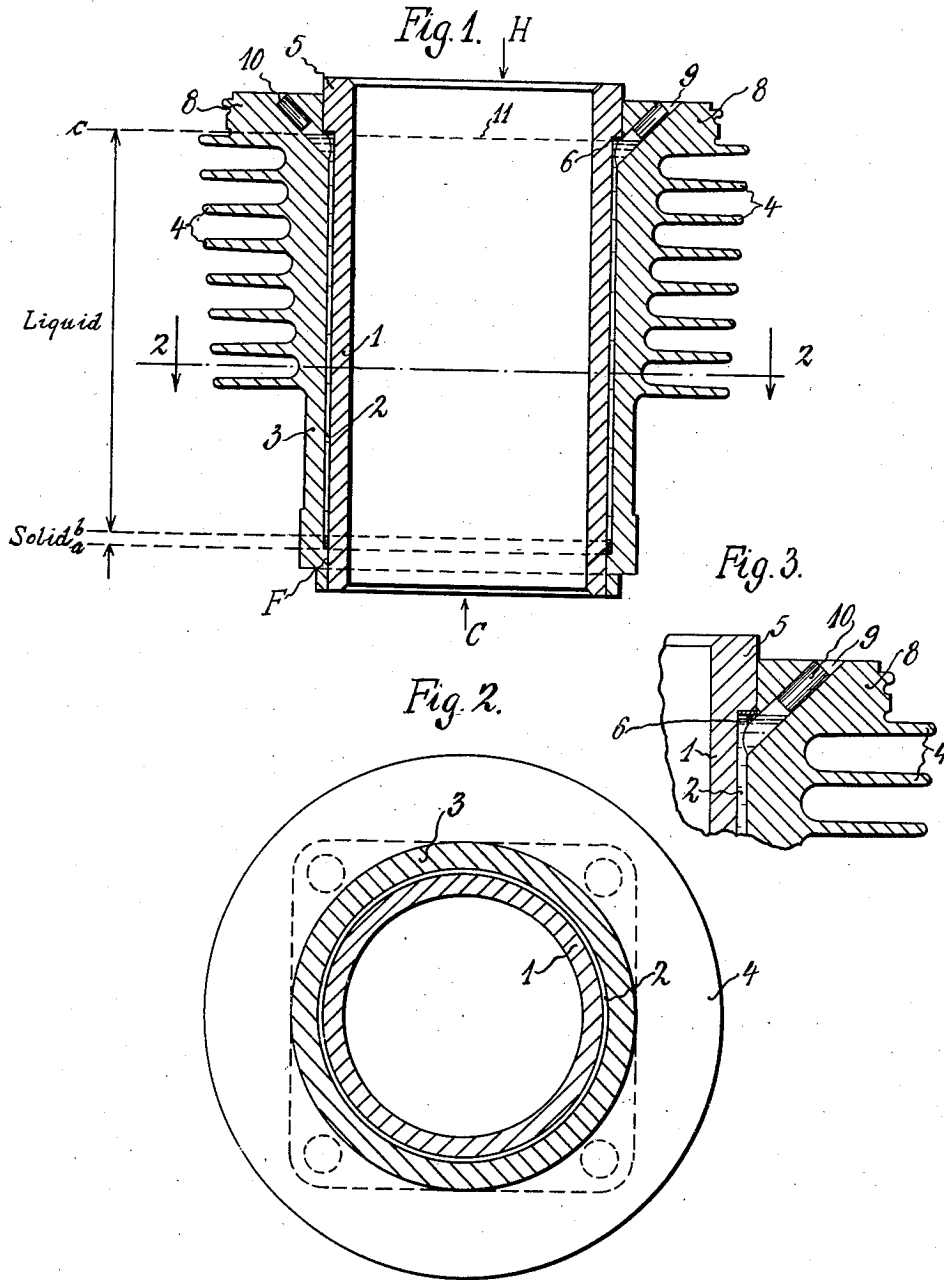
June 10, 1930.

C. A. BAUER ET AL

1,763,082

AIR COOLED CYLINDER

Filed April 18, 1929



INVENTOR.
Charles A. Bauer
BY and Carl B. Gustafson
Chapin & Neal
ATTORNEYS.