

Dec. 4, 1928.

1,693,696

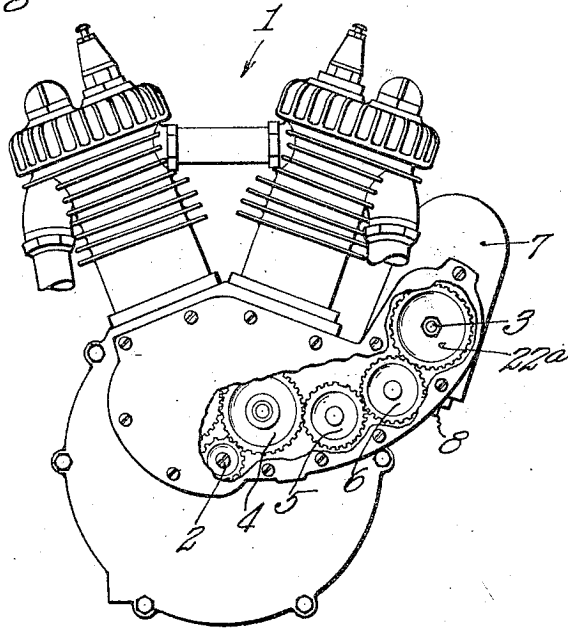
C. B. FRANKLIN

GENERATOR ASSEMBLY FOR MOTOR CYCLE ENGINES

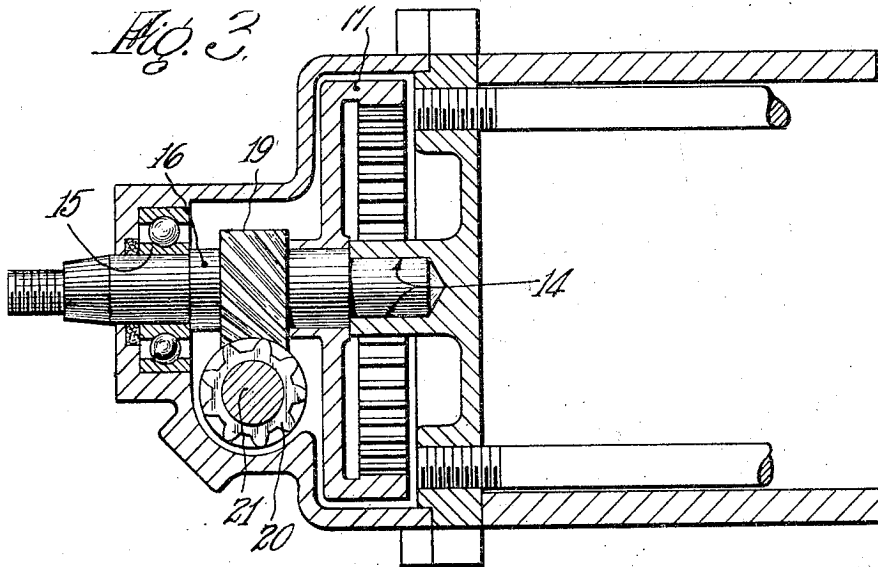
Filed March 6, 1926

2 Sheets-Sheet 1

*Fig. 1.*



*Fig. 3.*



INVENTOR,  
*Charles B. Franklin*  
BY *Chapin & Neal*  
ATTORNEYS.