

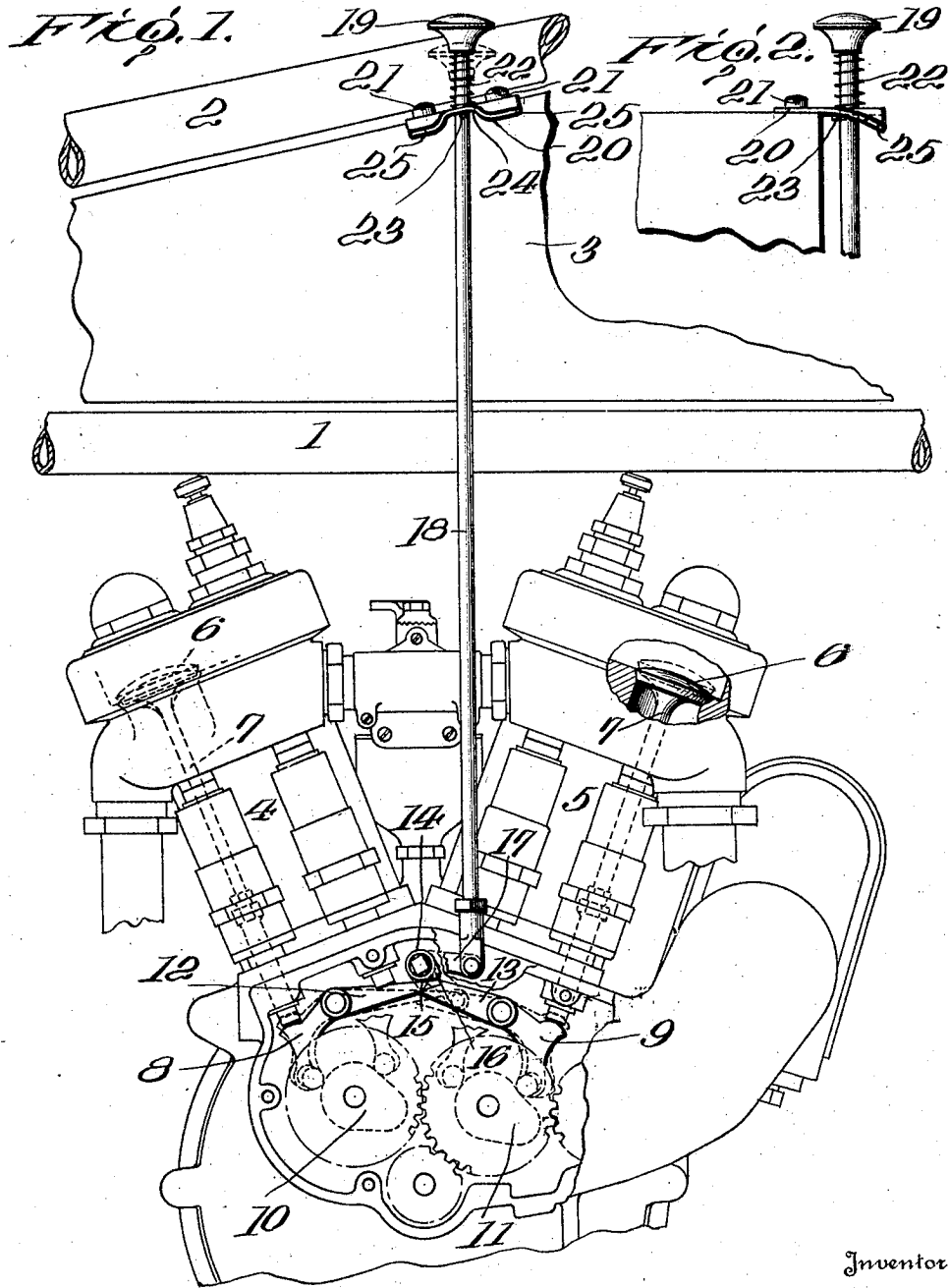
Oct. 26, 1926.

1,604,704

H. E. MADDEN

COMPRESSION RELIEVING MECHANISM FOR MOTOR CYCLES

Filed August 13, 1923



Inventor

Henry E. Madden

By *Sturtevant Mason*
Attorney