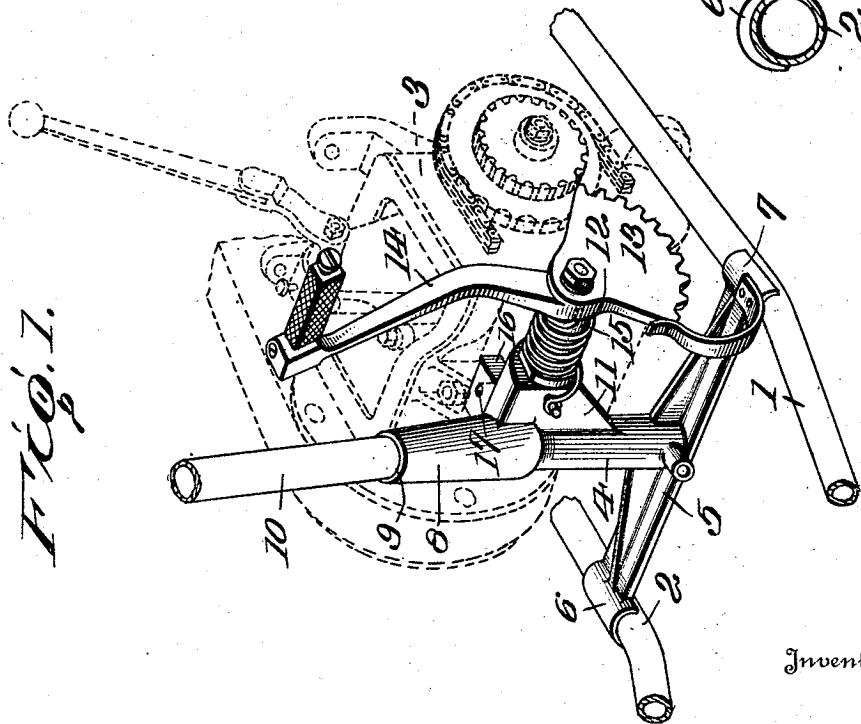
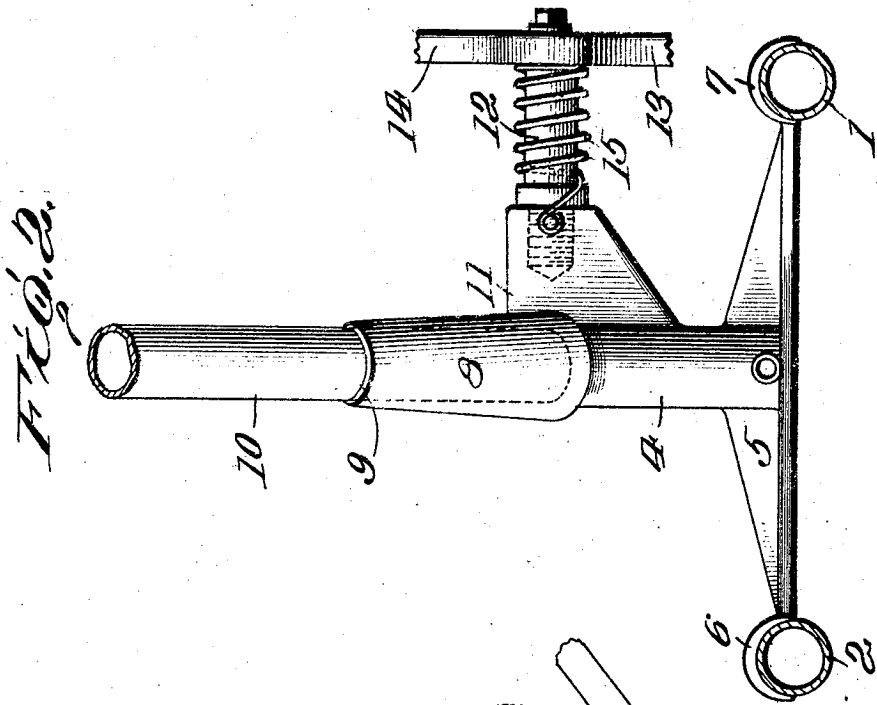


C. B. FRANKLIN.  
KICK STARTER SUPPORT.  
APPLICATION FILED JUNE 1, 1921.

1,420,479.

Patented June 20, 1922.  
2 SHEETS—SHEET 1.



Inventor

C. B. FRANKLIN.

By

Sturtevant & Mason Attorneys