

April 19, 1949.

R. A. LABINE

2,467,676

SPRING SUSPENSION MEANS FOR SADDLES

Filed Oct. 9, 1946

Fig. 1.

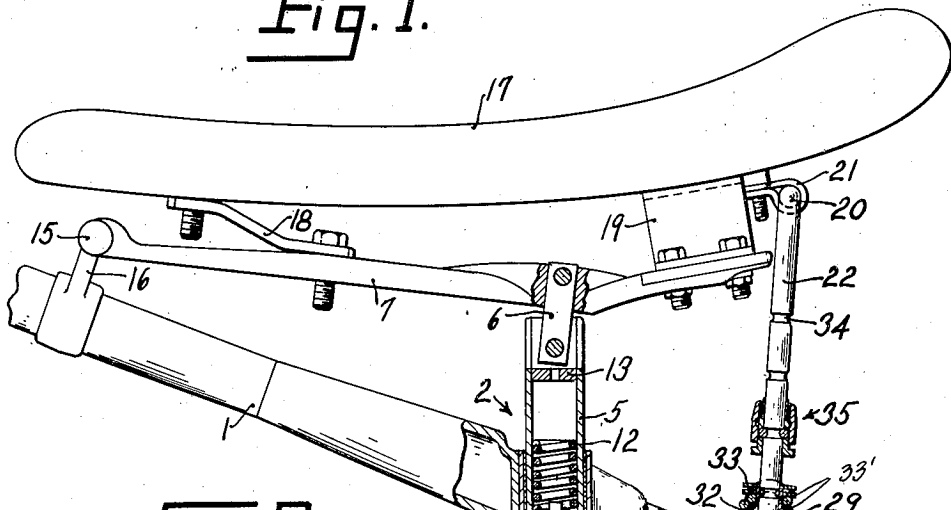


Fig. 2.

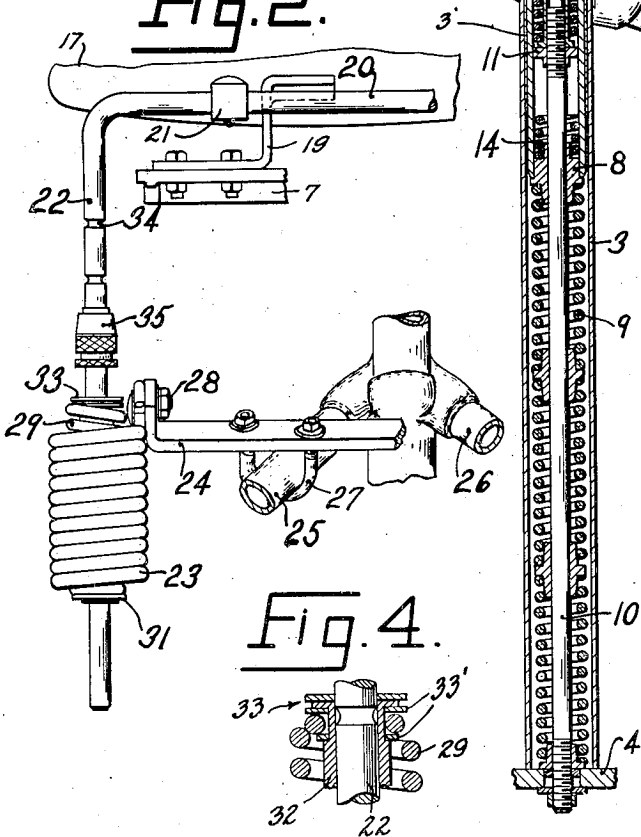


Fig. 3.

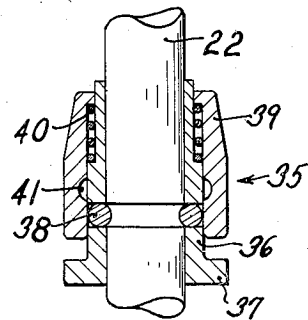
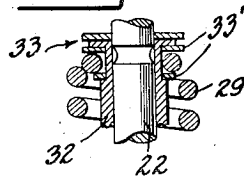


Fig. 4.



INVENTOR
ROLAND A. LABINE

BY *Chapin & Neal*
ATTORNEYS