

Sept. 24, 1946.

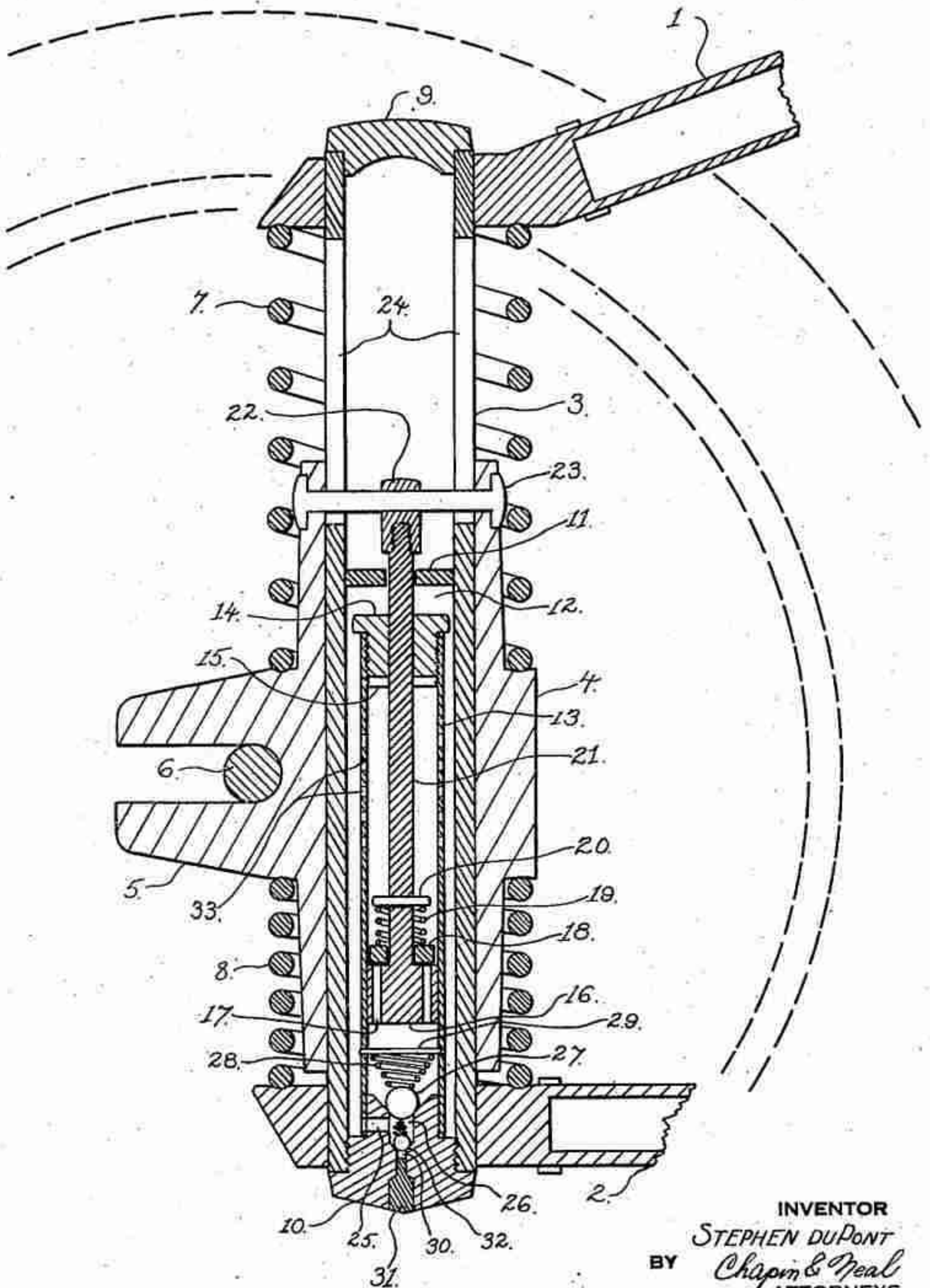
S. DU PONT

2,408,254

SUSPENSION UNIT FOR VEHICLE WHEELS

Filed April 19, 1944

compliments of [www.indianmotorbikes.com](http://www.indianmotorbikes.com)



INVENTOR  
STEPHEN DUPONT  
BY *Chapin & Neal*  
ATTORNEYS