

March 5, 1946.

S. DU PONT

2,396,041

RESILIENT MOUNTING FOR HANDLE BARS

Filed Dec. 21, 1944

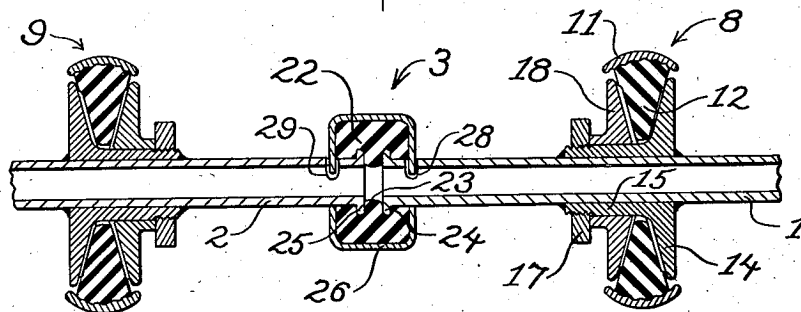
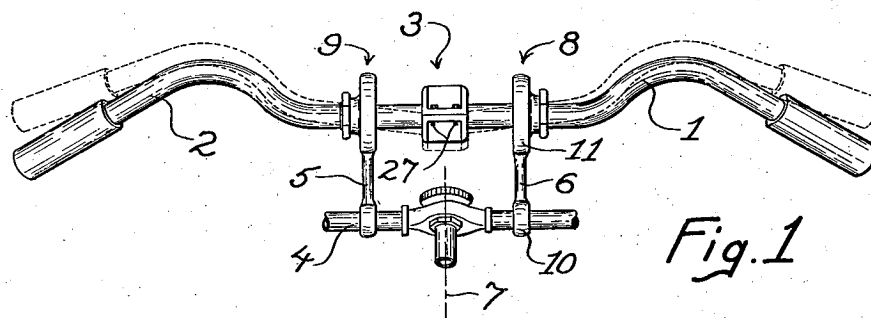


Fig. 2

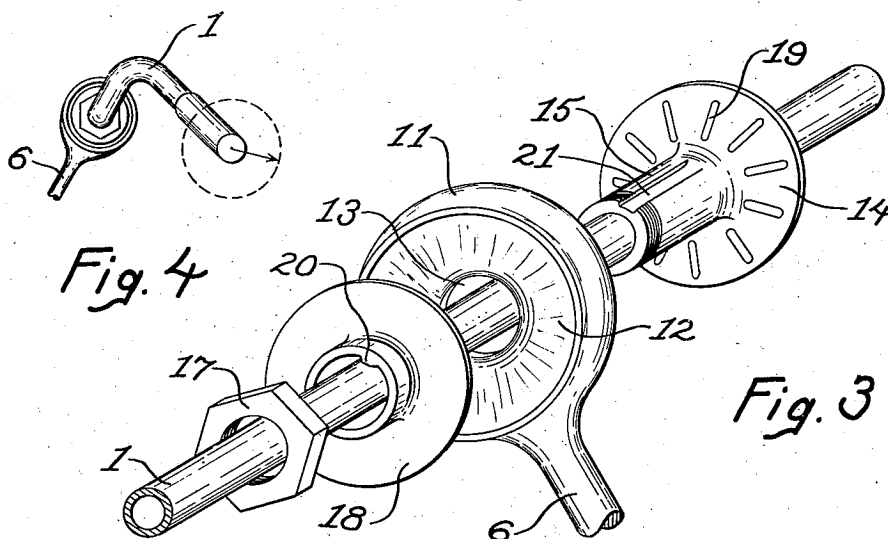


Fig. 4

Fig. 3

INVENTOR  
STEPHEN DUPONT  
BY  
Clayton & Neal  
ATTORNEYS