

April 24, 1934.

E. P. DU PONT ET AL  
CONVERTIBLE MOTORCYCLE CHASSIS

1,956,319

Filed Nov. 19, 1930

2 Sheets-Sheet 1

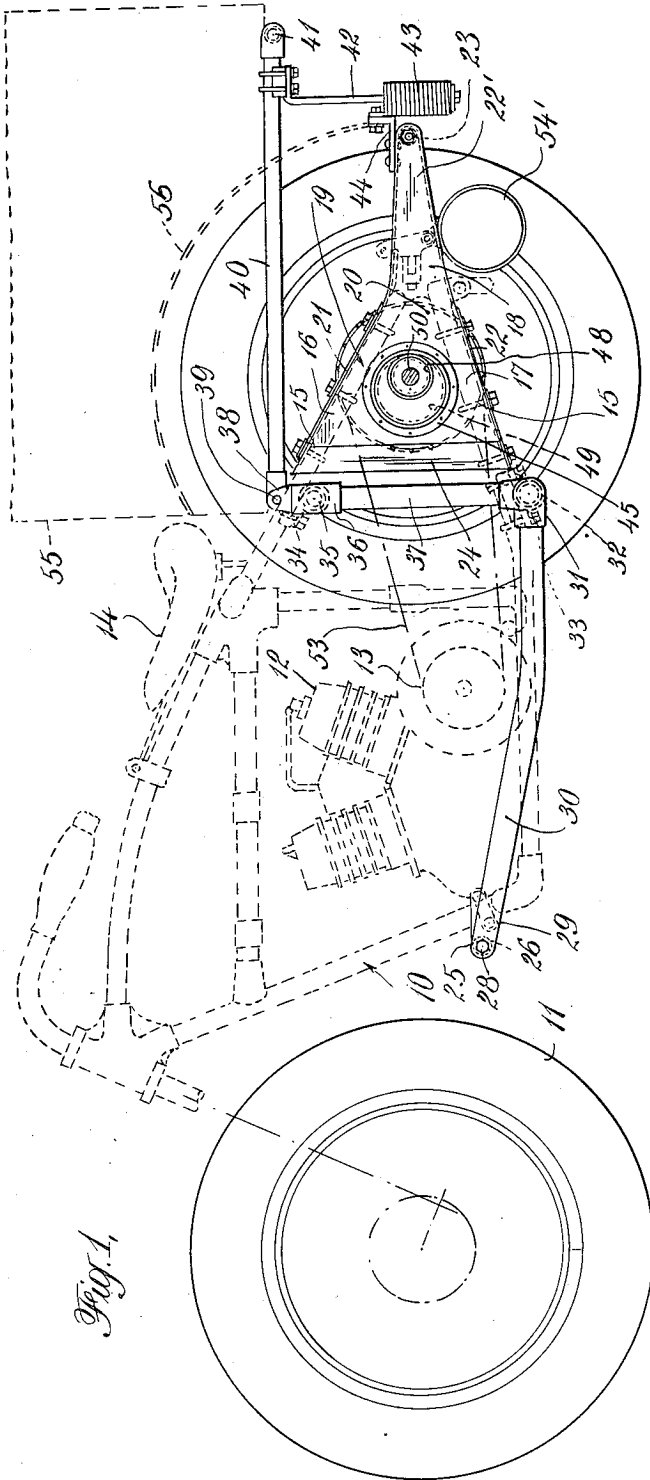


Fig. 1.

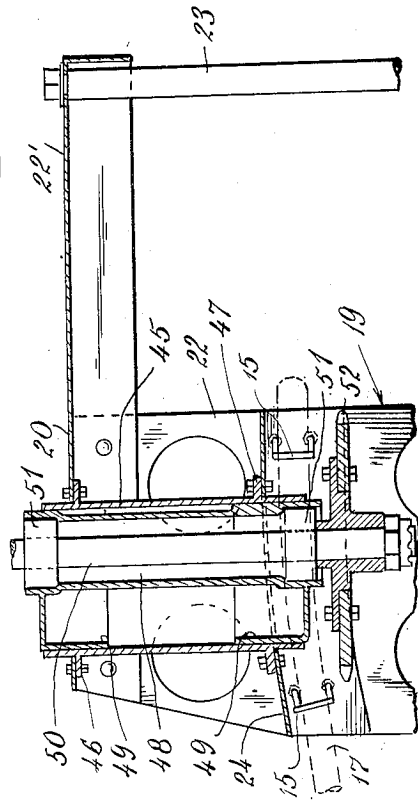


Fig. 4.

INVENTOR  
*Clarence Paul Du Pont*  
and  
*Ed. Hugo Weaver*  
BY  
*Rennie, Clark, Morring & Edwards*  
ATTORNEYS