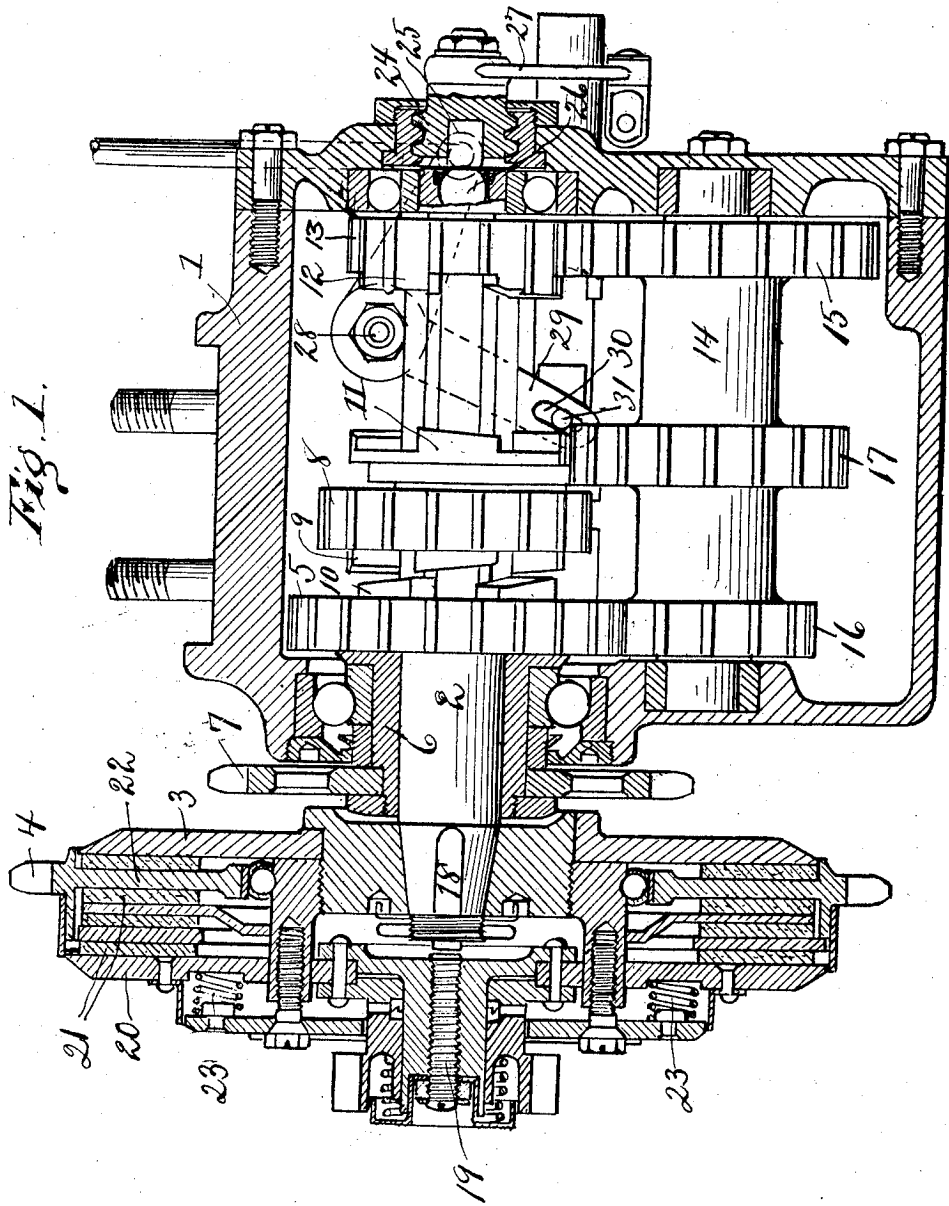


1,331,759.

C. J. GUSTAFSON.
GEAR SHIFT LEVER LOCK.
APPLICATION FILED DEC. 19, 1914.

Patented Feb. 24, 1920.
3 SHEETS—SHEET 1.



Witnesses
Albert Perkins
Grace P. Brewster

Carl Johan Gustafson Inventor

By *Sturtevant Mason* Attorneys