

FRONT WHEEL BRAKE MOUNTING FOR MOTOR CYCLES

Filed Aug. 10, 1928

compliments of www.indianmotorbikes.com

Fig. 1.

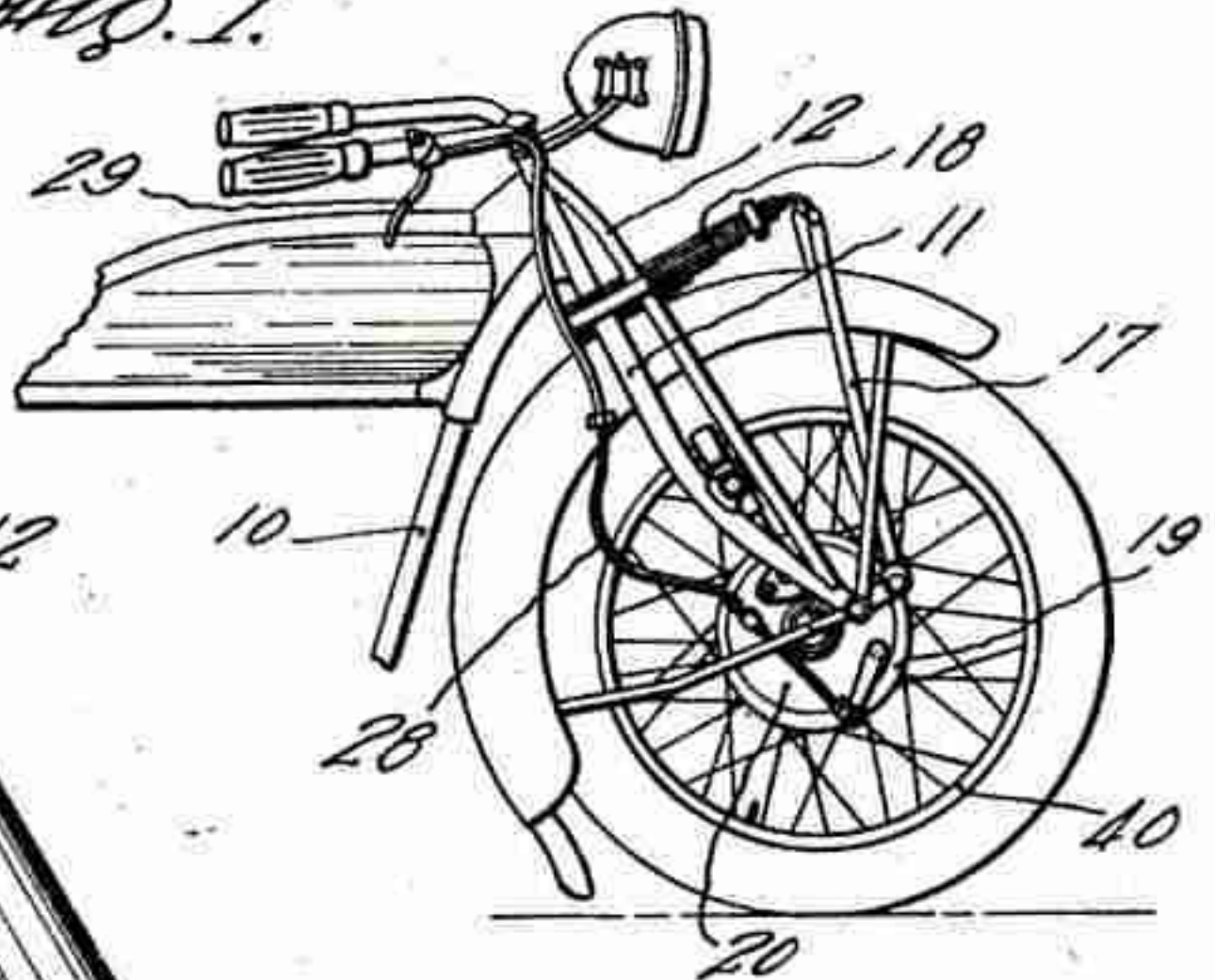


Fig. 2.

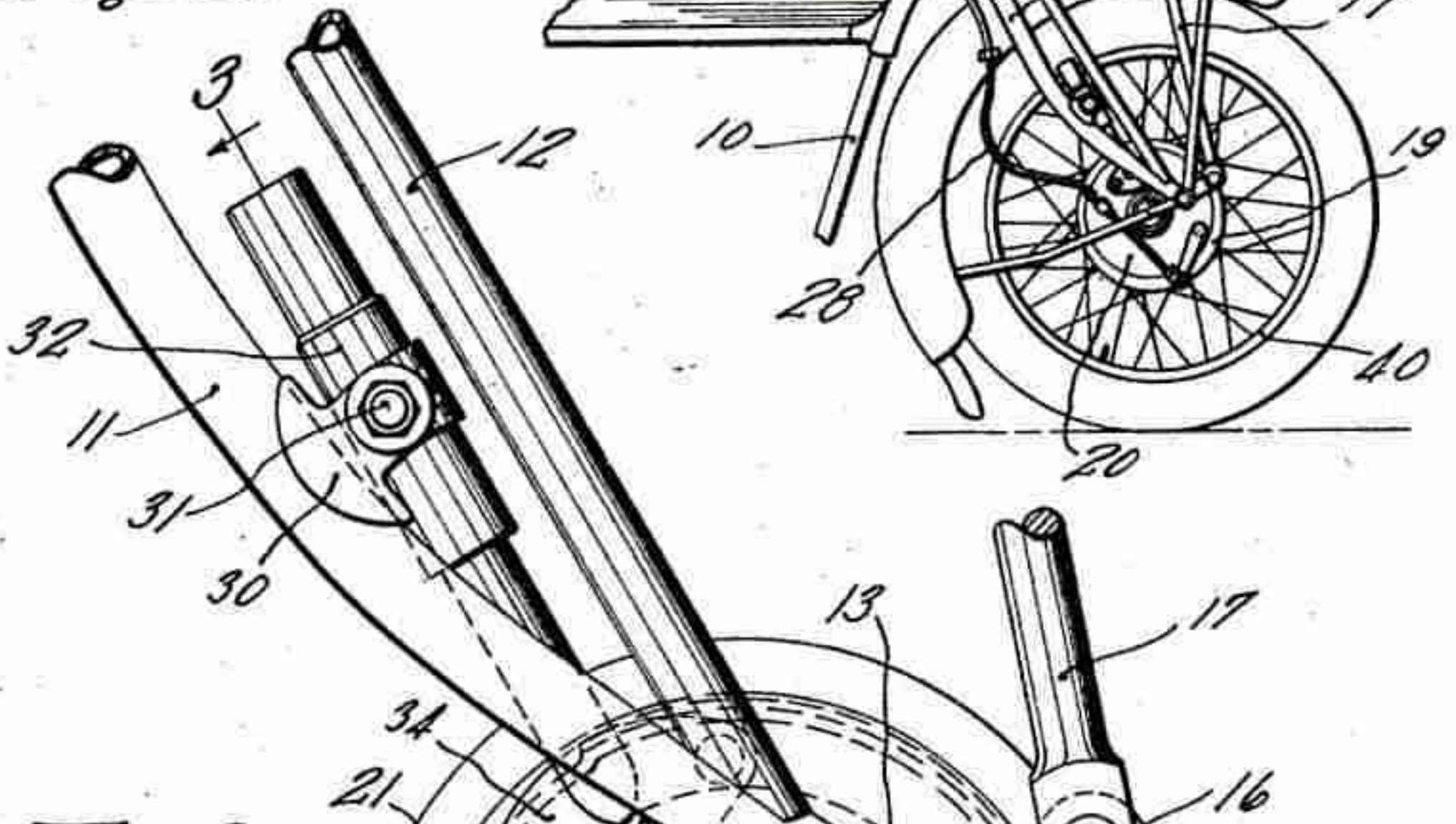
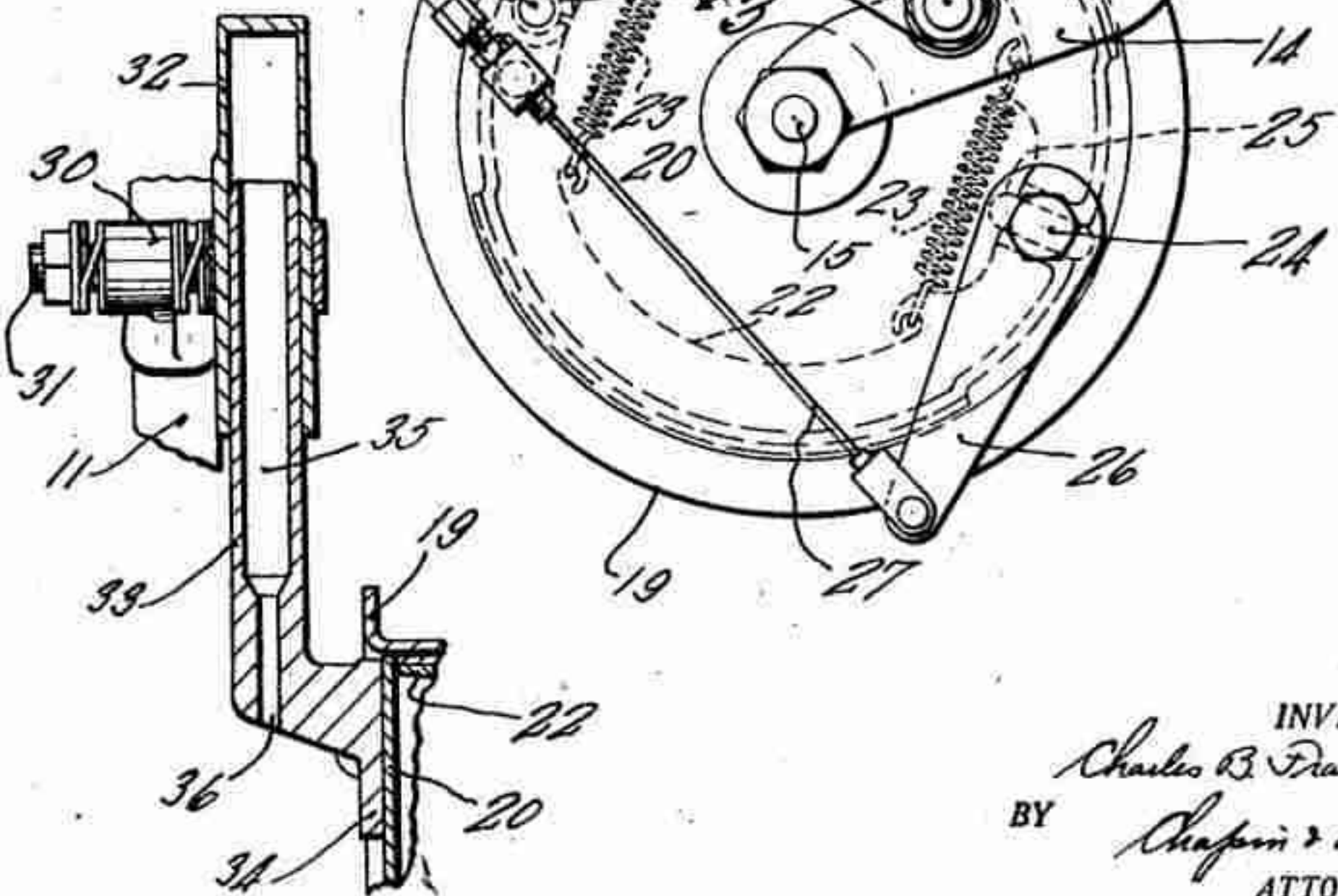


Fig. 3.



INVENTOR.
Charles B. Franklin
 BY *Chapin & Meaf*
 ATTORNEYS.